

# Universal Analog Input Module

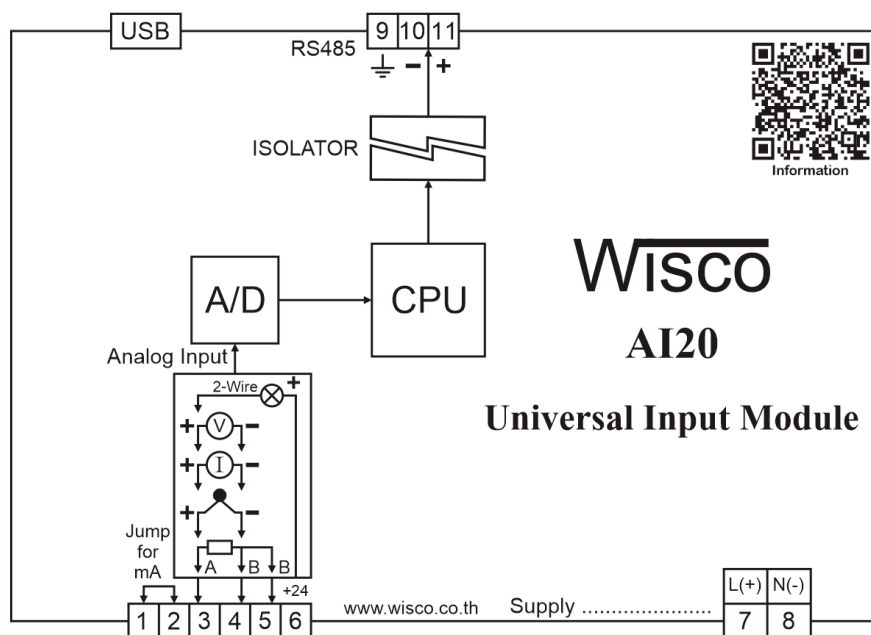
## AI20



- Programmable Input Type
- 1 Analog Input Channel
- RS-485 Isolated

**Analog Input Module AI20** is device that compatible with various type of Analog Input. Analog Input can be program using computer programing to receive Sensor such as Thermocouple, RTD, and Voltage etc.

AI20 Communicate Thru RS-485 serial port which is compatible with PC, PLC, and touch screen display using Modbus protocol either ASCII or RTU



## Specifications

### USB Interface

**Compliance:** USB 1.1/2.0

**Connector:** USB Type Mini-A (Female)

**Speed:** 12 Mbps (Full-Speed USB)

**Class:** CDC

### Serial Interface

**Interface:** RS485 (Isolated) 2 Pin Terminal Block

**Loading:** RS485 Max 32 Unit

**Distance:** RS485/422 Length 1 Km.

**Protocol:** MODBUS (ASCII, RTU), Wisco ASCII

**Support Software:** Citect, Wonderware, Lab View, Fix, Genesis etc.

### Serial Parameter

**Baud Rate:** 115200, 57600, 19200, 9600, 4800

**Data Bits:** 7, 8

**Stop Bits:** 1, 2

**Parity:** None, Even, Odd

### Analog Input

**Number of channel:** 1 Channel

**Input type:** Programmable Input

**Input range:**

Thermocouple (R, S, K, E, J, T, B)

RTD (Cu10, PT100, PT1000)

Resistance (0-600  $\Omega$ , 0-1.2 K $\Omega$ , 0-4 K $\Omega$ )

Voltage mVDC (0-80, 0-150 mVDC)

Voltage (0-1, 0-5, 0-15, 0-30 VDC)

Current (4-20 mA, 0-20 mA, 0-40 mA)

**Isolation:** Relay Isolated

**ADC Resolution:** 16 Bits

### Power Requirements

**Power Supply:** 220 VAC  $\pm$  10%

(12 VDC, 24 VDC Optional)

### Environmental Limits

**Operating Temperature:** 0 to 55  $^{\circ}$ C

**Operating Humidity:** 5 to 95% RH

**Storage Temperature:** 0 to 70  $^{\circ}$ C

### Physical Characteristics

**Dimension:** W20 x H100 x D118 mm.

**Mounting:** DIN Rail

### Warranty

**Warranty Period:** 5 Year

**Ordering Information:** Specify Power Supply

Example AI20/220VAC

### Package Checklist

1. AI20
2. USB Cable
3. Resistor 250  $\Omega$

